



GRAVELLY®

**COMMERCIAL 10A
TRACTOR AND
COMMERCIAL 12
TRACTOR
PARTS LIST**

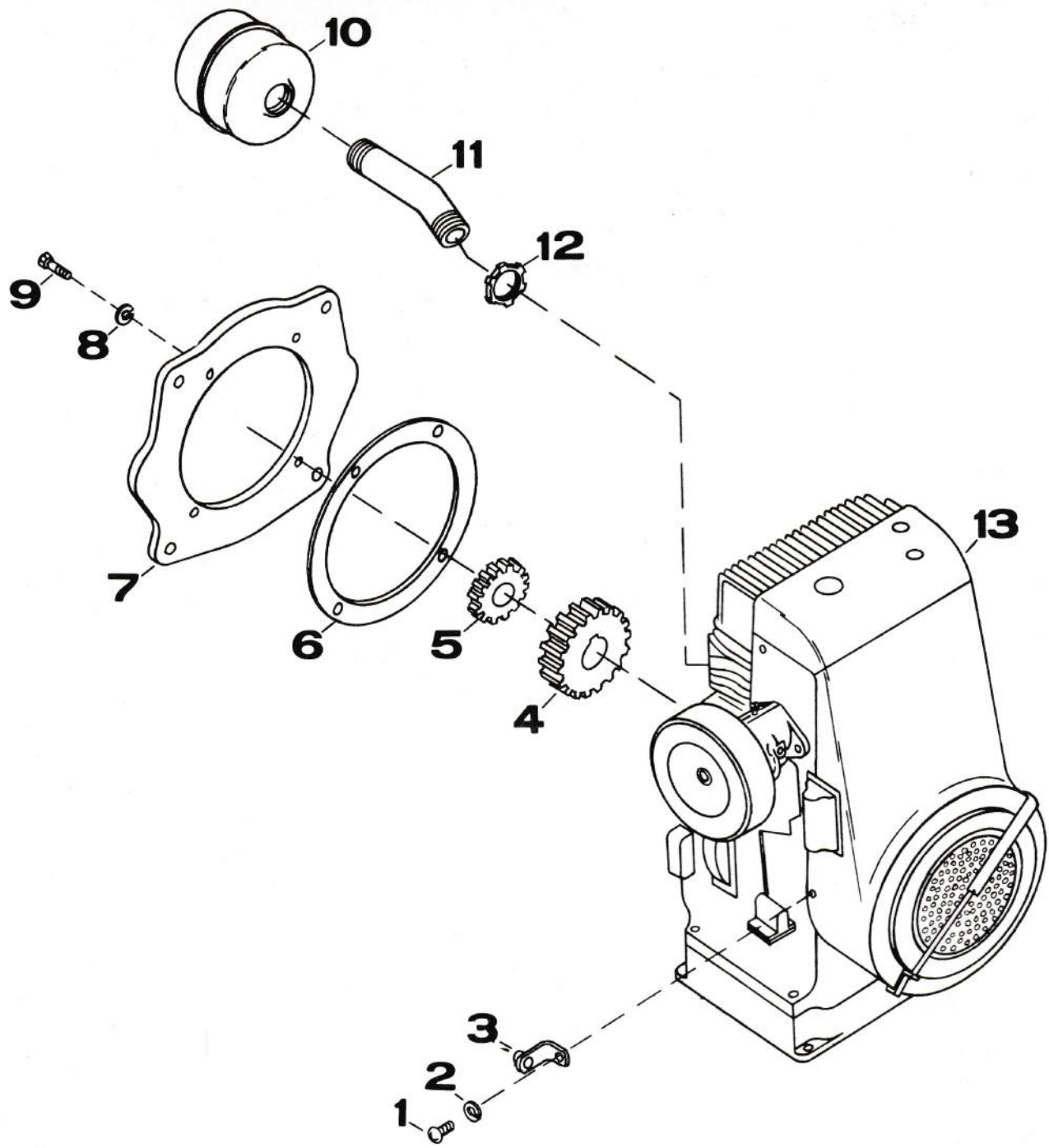
 **GRAVELLY**
CORPORATION

A SUBSIDIARY OF STUDEBAKER-WORTHINGTON, INC.

INDEX

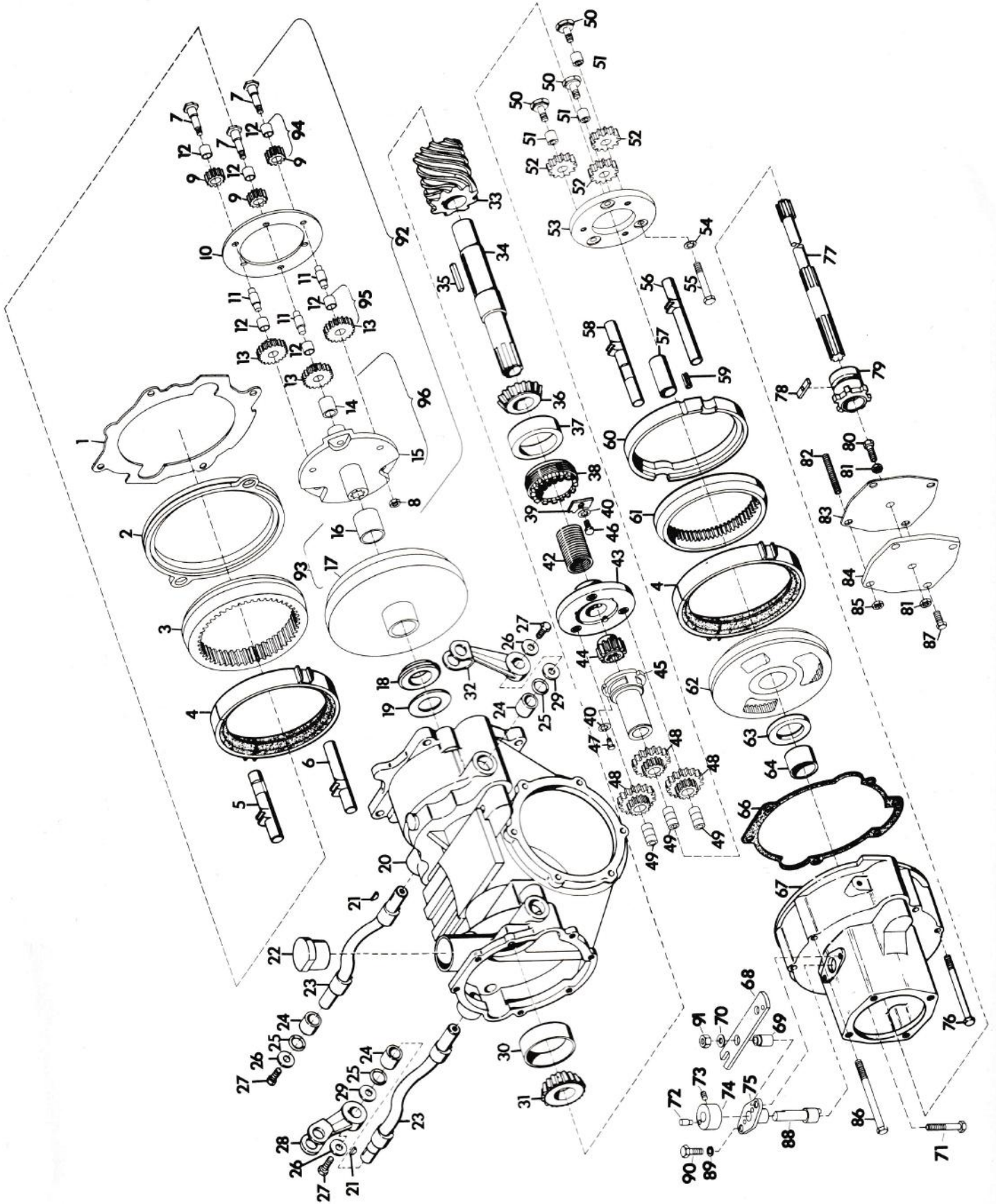
	Page
EXHAUST AND ADAPTER.	1
TRANSMISSION	2-3-4
AXLE HOUSING	5
DIFFERENTIAL	6-7
HANDLE BARS AND CONTROLS	8-9
HOOD AND ELECTRICAL COMPONENTS	10-11
WHEEL ASSEMBLY	11
FUEL TANK.	12
WIRING DIAGRAM	13
TRAILING HITCH KIT	13
REAR HITCH	14
COUPLER STRUT WELDMENT	15
DUAL WHEEL KIT	16

EXHAUST AND ADAPTER



<u>ITEM NO.</u>	<u>PART NO.</u>	<u>DESCRIPTION</u>
1	160515	1/4 x 1/2 Pan. Hd. Screw
2	120380	1/4 Lockwasher
3	11340P1	Choke Control Bracket
4	11005P1	Gear
5	11006P1	Gear
6	10732P1	Engine To Adapter Gasket
7	10731P1	Engine Adapter
8	131100	7/16 Lockwasher
9	180147	7/16 x 1 1/4 Hex. Hd. Bolt
10	8227P1	Muffler
11	10865P1	Muffler Tube
12	10866P1	Conduit Nut
13*	12414A1	Engine (Commercial 10A)
13**	12413A1	Engine (Commercial 12)

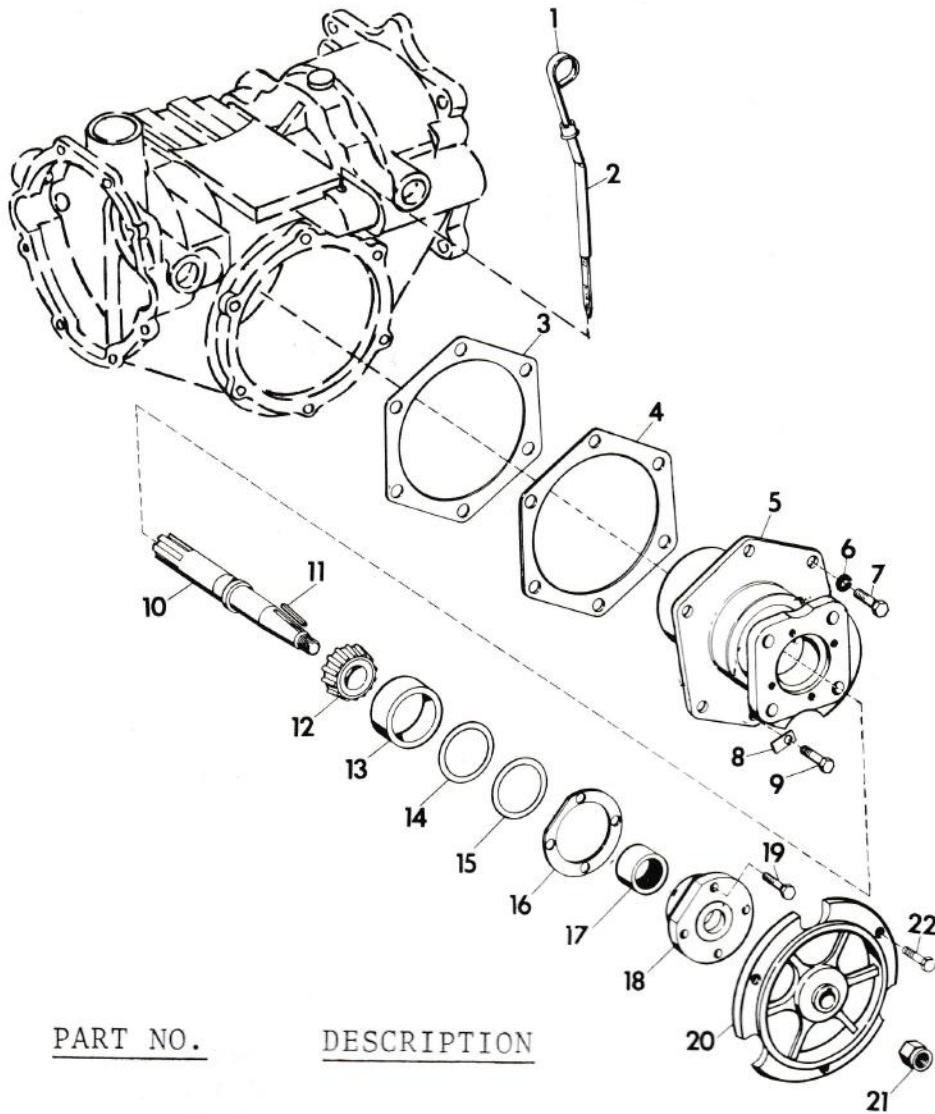
TRANSMISSION



<u>ITEM NO.</u>	<u>PART NO.</u>	<u>DESCRIPTION</u>
1	10635P1	Gasket
2	11183P1	Rear Spacer
3	11182P1	Rear Ring Gear
4	12644P1	Clutch Cup
5	11185P1	Clutch Slide Rod R.H.
6	11184P1	Clutch Slide Rod L.H.
7	11181P1	Orbit Gear Pin
8	11342P1	5/16 Special Nut
9	11180P1	Orbit Gear
10	11178P1	Pin Spacer
11	11174P1	Orbit Gear Pin
12	11177P1	Orbit Gear Bushing
13	11176P1	Orbit Gear
14	11172P1	Planet Carrier Bushing
15	11173P1	Planet Gear Carrier
16	11169P1	Ring Gear Bushing
17	11170P1	Ring Gear
18	12645P1	Thrust Plate
19	2211P1	Shim
20	10628P1	Chassis
21	124545	Woodruff Key
22	10617P1	Oil Filler Plug
23	10625P1	Clutch Actuating Shaft
24	10618P1	Clutch Actuating Shaft Bushing
25	10663P1	"O" Ring
26	446470	Flat Washer
27	180016	1/4 x 1/2 Hex. Hd. Bolt
28	10673P1	Actuating Shaft Lever Fwd.-Rev.
29	10714P1	Special Washer
30	10390P1	Bearing Cup
31	10389P1	Bearing Cone
32	10660P1	Actuating Shaft Lever Hi-Lo
33	13496P1	Worm 8 Lead
34	12647P1	Worm Shaft
35	12668P1	Worm Key
36	12332P1	Roller Bearing Cone
37	12333P1	Roller Bearing Cup
38	12635P1	Bearing Adjusting Nut
39	12648P1	Adjusting Locknut
40	120423	1/4 Lockwasher
42	12663P1	Pin Plate Spacer Spring
43	12633P1	Front Pin Plate
44	12637P1	Sun Gear
45	12653P1	Pin Plate Ouill
46	180018	1/4 x 5/8 Hex. Hd. Bolt
47	180016	1/4 x 1/2 Hex. Hd. Bolt
48	12639P1	Orbit Gear
49	12640P1	Orbit Gear Pin
50	12658P1	Reverse Idler Bolt
51	12657P1	Reverse Idler Bushing
52	12656P1	Reverse Idler Gear

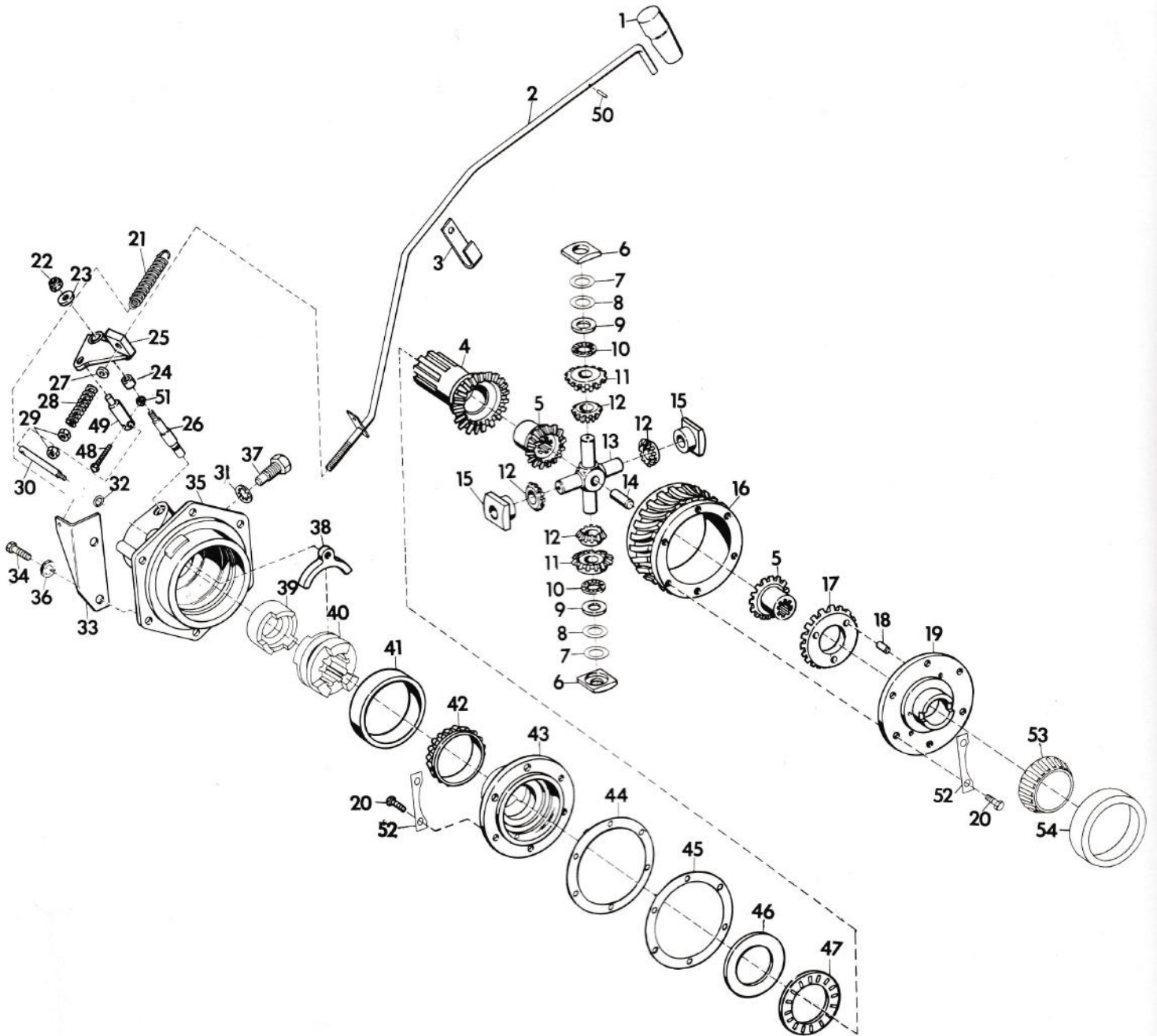
<u>ITEM NO.</u>	<u>PART NO.</u>	<u>DESCRIPTION</u>
53	12655P1	Front Pin Spacer
54	138542	3/8 Lock Washer
55	12643P1	Special Bolt
56	12677P1	Clutch Slide Rod L.H.
57	12662P1	Pinion Shaft Bearing
58	12678P1	Clutch Slide Rod R.H.
59	13456P1	3/8 Spring Pin
60	12636P1	Gear Cup
61	12632P1	Internal Gear
62	12654P1	Reverse Cone
63	12646P1	Front Thrust Plate
64	12650P1	Quill Bearing
66	12591P1	Chassis Front Gasket
67	10626P1	Advance Casting
68	12122P1	Shifter Arm
69	12123P1	Spacer
70	120393	11/32 Plain Washer
71	180087	5/16 x 2 Hex. Hd. Bolt
72	12320P1	Shifter Dowel
73	102592	3/8 x 3/8 Set Screw
74	10688P2	Shifter Body
75	10687P1	Shipper Shaft Guide
76	180735	5/16 x 3 1/4 Hex. Hd. Bolt
77	11298P1	Pinion Shaft
78	12601P1	Dog Block
79	12660P1	Clutch Dog
80	180132	3/8 x 2 1/4 Hex. Hd. Bolt
81	120377	3/8 Hex. Nut
82	12110P1	Stud
83	12603P1	Attachment Boss Cover Gasket
84	12602P1	Attachment Boss Cover
85	120238	1/2 Hex. Nut
86	187147	5/16 x 3 1/2 Hex. Hd. Bolt
87	180175	1/2 x 1 1/4 Hex. Hd. Bolt
88	10686P1	Shipper Shaft
89	120214	5/16 Lockwasher
90	180075	5/16 x 5/8 Hex. Hd. Bolt
91	9419455	5/16 Locknut
92	14615A1	Hi-Lo Planetary Assembly
93	11168A1	Ring Gear & Bushing Assembly
94	11179A1	Orbit Gear Assembly
95	11175A1	Orbit Gear Assembly
96	11171A1	Planet Gear Carrier & Bushing Assembly

AXLE HOUSING



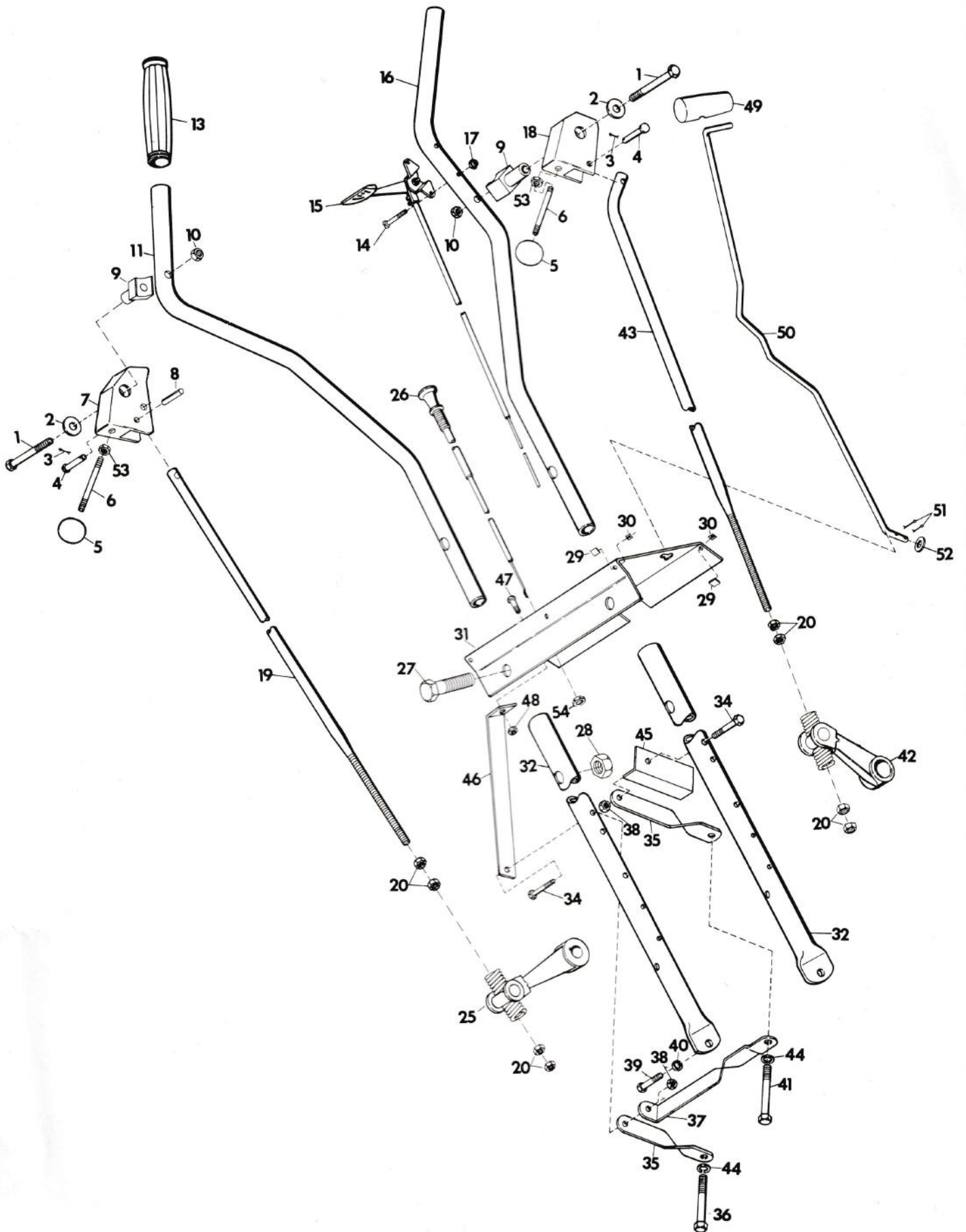
<u>ITEM NO.</u>	<u>PART NO.</u>	<u>DESCRIPTION</u>
1	10622A1	Dipstick Assembly
2	10586P1	Dipstick Guide
3	12595P1	Shim .005
	12596P1	Shim .020
4	12597P1	Gasket
5	12128P1	Axle Housing
6	120384	1/2 Lockwasher
7	180173	1/2 x 1 Hex. Hd. Bolt
8	12594P1	Oil Drain Washer
9	13624P1	1/2 x 7/8 Hex. Hd. Bolt
10	10377P1	Axle
11	12672P1	Axle Key
12	9246P1	Bearing Cone
13	9245P1	Bearing Cup
14	10382P1	Shim .020
15	10383P1	Shim .005
16	10384P1	Bearing Cap Gasket
17	12590P1	Oil Seal
18	10379P1	Bearing Cap
19	180077	5/16 x 3/4 Hex. Hd. Bolt
20	12671P1	Wheel Hub
21	13412P1	Axle Nut
22	180118	3/8 x 5/8 Hex. Hd. Bolt

DIFFERENTIAL



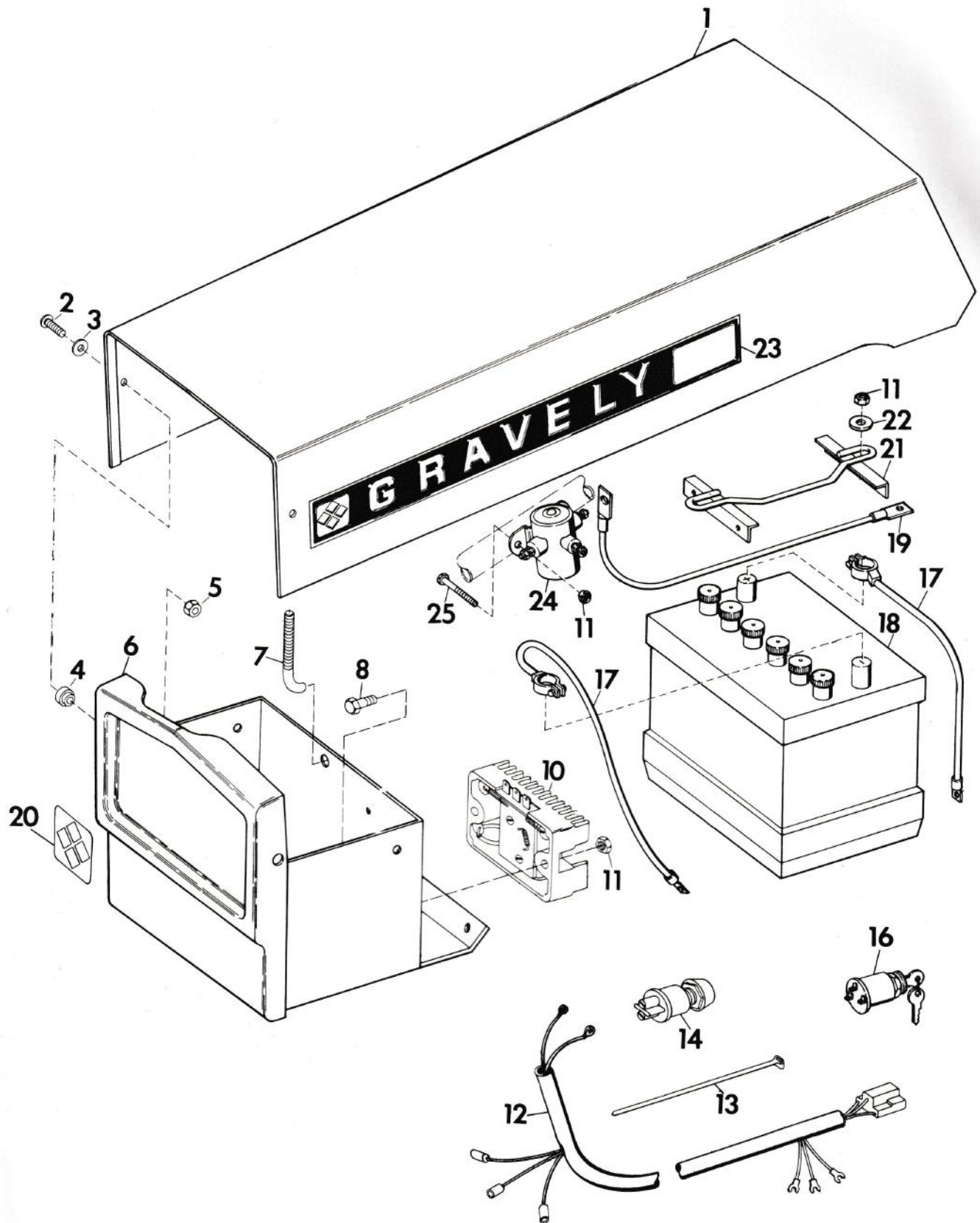
<u>ITEM NO.</u>	<u>PART NO.</u>	<u>DESCRIPTION</u>
1	10683P1	Handle
2	10677A1	2-Speed Control Rod Weldment
3	10684P1	2-Speed Control Retainer
4	6704P1	Shifting Gear
5	6709P1	Differential Gear
6	6715P2	Spider Thrust Washer
7	6738P1	Shim .020
8	6737P1	Shim .005
9	6742P1	Thrust Race
10	6741P1	Needle Thrust Bearing
11	6702P1	Shifting Train Pinion
12	6708P1	Spider Gear
13	6710P1	Spider Pin
14	6711P1	Thrust Pin
15	6752P1	Thrust Spacer
16	6705P1	Worm Gear 8 Lead
17	6703P1	Pinned Gear
18	6714P1	Dowel Pin
19	12126P1	Pinned Housing
20	180077	5/16 x 3/4 Hex. Hd. Bolt
21	10681P1	Extension Spring
22	9419455	5/16 Locknut
23	120393	11/32 Flatwasher
24	6724P1	Pivot Bushing
25	6723A1	Shifter Arm
26	10506P1	Stationary Pivot Pin
27	120394	13/32 Flatwasher
28	10682P1	Compression Spring
29	124925	3/8 Hex. Jam Nut
30	6721P1	Clutch Sliding Pin
31	138557	5/8 Lockwasher
32	6732P1	"O" Ring
33	10680P1	2-Speed Spring Bracket
34	180173	1/2 x 1 Hex. Hd. Bolt
35	10381P3	Axle Housing
36	120384	1/2 Lockwasher
37	6734P2	Stationary Clutch Bolt
38	6719P1	Shifting Yoke
39	11156P1	Stationary Clutch
40	11632P1	Shifting Clutch
41	12500P1	Roller Bearing Race
42	12501P1	Roller Bearing Cone
43	11148P1	Clutch Housing
44	6739P1	Shim .005
45	6740P1	Shim .020
46	6744P1	Needle Thrust Race
47	6743P1	Needle Thrust Bearing
48	180024	1/4 x 1 1/4 Hex. Hd. Bolt
49	6726P1	Shifting Pin
50	9423664	3/32 Spring Pin
51	9413314	1/4 Locknut
52	11351P1	Locking Plate
53	12130P1	Roller Bearing Cup
54	12131P1	Roller Bearing Cone

HANDLE BARS AND CONTROLS



<u>ITEM NO.</u>	<u>PART NO.</u>	<u>DESCRIPTION</u>
1	180192	1/2 x 3 1/2 Hex. Hd. Bolt
2	120396	17/32 Plain Washer
3	177923	1/8 x 3/4 Cotter Pin
4	10672P1	Clevis Pin
5	10670P1	Control Knob
6	10669P1	Shifter Rod
7	11985P1	Forward-Reverse Shifter Rod Support
8	453670	1/4 x 1 1/8 Spring Pin
9	10667P1	Handle Lever Pivot
10	435507	1/2 Locknut
11	11982P1	Handle Bar Right Hand
13	10671P1	Handle Grip
14	436738	#10 x 1 1/2 Machine Screw
15	12360P1	Throttle Control Lever
16	10658P1	Handle Bar Left Hand
17	190254	#10 Locknut
18	10666P1	Hi-Lo Shifter Rod Support
19	11986P1	Fwd.-Rev. Clutch Rod
20	124925	3/8 Hex. Jam Nut
25	11327A1	Fwd.-Rev. Act. Shaft Lever Assy.
26	10696P1	Choke Control
27	443615	1/2 x 2 Hex. Hd. Bolt
28	225857	1/2 Hex. Nut
29	12115P1	Hood Bumper
30	12116P1	Hood Bumper Clip
31	10653P3	Instrument Panel
32	10643P1	Tube Support
34	180132	3/8 x 2 1/4 Hex. Hd. Bolt
35	10655P1	Handle Brace
36	180149	7/16 x 1 1/2 Hex. Hd. Bolt
37	10656P1	Handle Cross Brace
38	456004	3/8 Locknut
39	180124	3/8 x 1 1/4 Hex. Hd. Bolt
41	180151	7/16 x 1 3/4 Hex. Hd. Bolt
42	11328A1	Hi-Lo Actuating Shaft Lever Assy.
43	10733P1	Hi-Lo Clutch Rod
44	131100	7/16 Lockwasher
45	10933P1	Rod Stop
46	10996P1	Brace
47	180018	1/4 x 5/8 Hex. Hd. Bolt
48	9419454	1/4 Locknut
49	10683P1	Handle
50	10932P1	Attachment Throw-out Rod
51	121224	3/32 x 1 Cotter Pin
52	120394	13/32 Flatwasher
53	272123	7/16 Hex. Jam Nut
54	124925	3/8 Hex. Jam Nut
NS	11981P1	Operation Instructions Decal

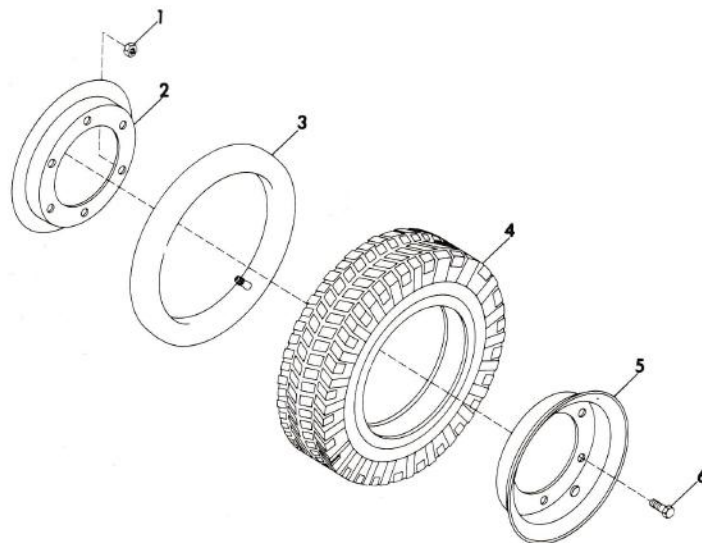
HOOD AND ELECTRICAL COMPONENTS



<u>ITEM NO.</u>	<u>PART NO.</u>	<u>DESCRIPTION</u>
1	10650P2	Hood
2	160556	1/4 x 1 Machine Screw
3	120392	9/32 Plain Washer
4	12117P1	Hood Pivot

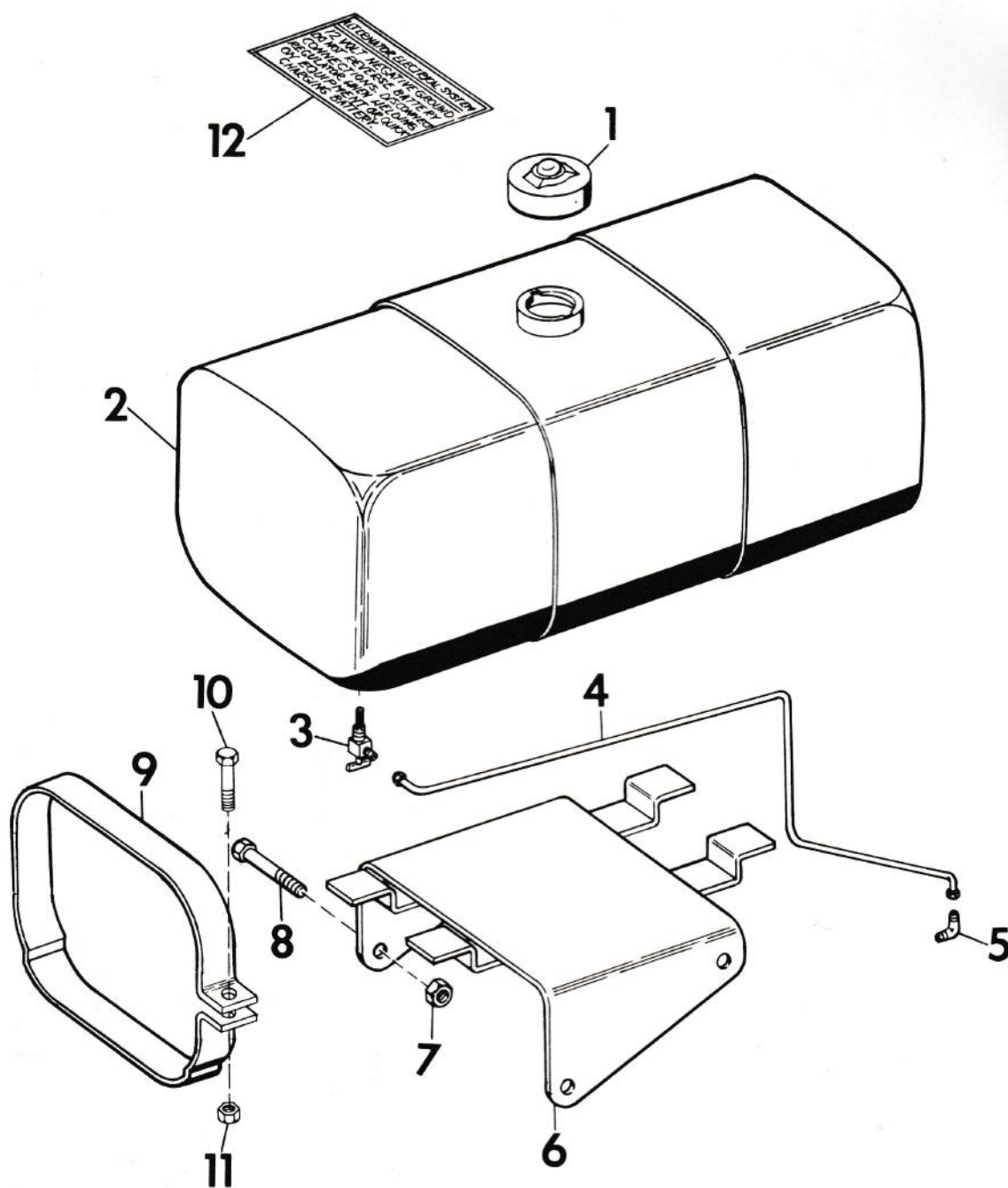
<u>ITEM NO.</u>	<u>PART NO.</u>	<u>DESCRIPTION</u>
5	9419454	1/4 Locknut
6	10644A3	Grille Weldment
7	10632P1	Battery Hold Down Hook
8	180020	1/4 x 3/4 Hex. Hd. Bolt
10	11979P1	Regulator Rectifier
11	120375	1/4 Hex. Nut
12	11951P1	Wiring Harness
13	10629P1	Cable Tie
14	10885P1	Starter Button
16	10713P2	Ignition Switch
17	10631P1	Battery Cable
18	7274P1	Battery
19	6981P2	Starter Cable
20	10697P1	Front Decal
21	10633P1	Battery Hold Down
22	446354	5/16 Flatwasher
23*	11904P1	Hood Decal (10A)
23**	12361P1	Hood Decal (12)
24	7277P1	Magnetic Switch
25	180042	1/4 x 1 3/4 Hex. Hd. Bolt
NS	7270P1	Battery Electrolyte
*	Commercial 10A Tractor	
**	Commercial 12 Tractor	

WHEEL ASSEMBLY



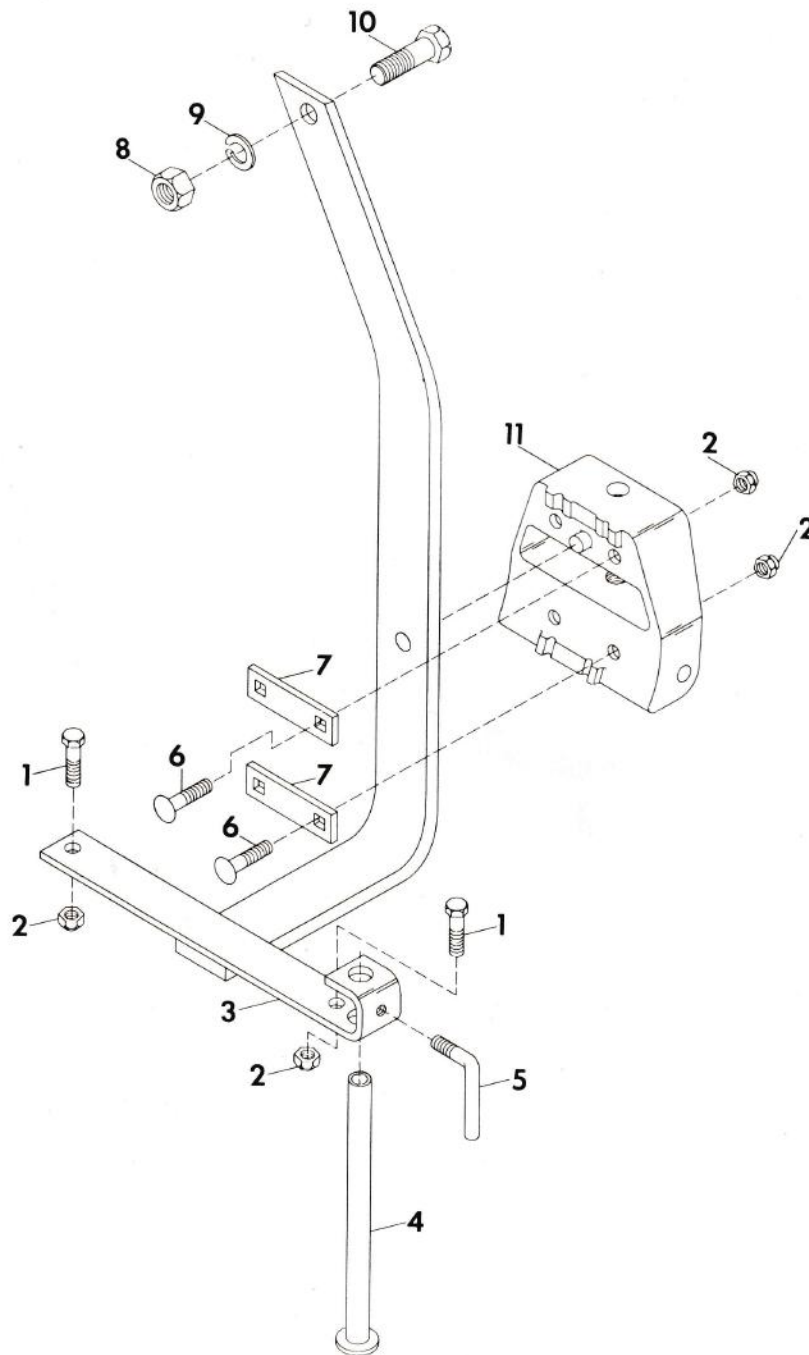
<u>ITEM NO.</u>	<u>PART NO.</u>	<u>DESCRIPTION</u>
1	124829	3/8 Hex. Jam Nut
2	12674P1	Inner Rim
3	11645P1	Tube
4	11644P1	Tire
5	12673P1	Outer Rim
6	180118	3/8 x 5/8 Hex. Hd. Bolt

FUEL TANK



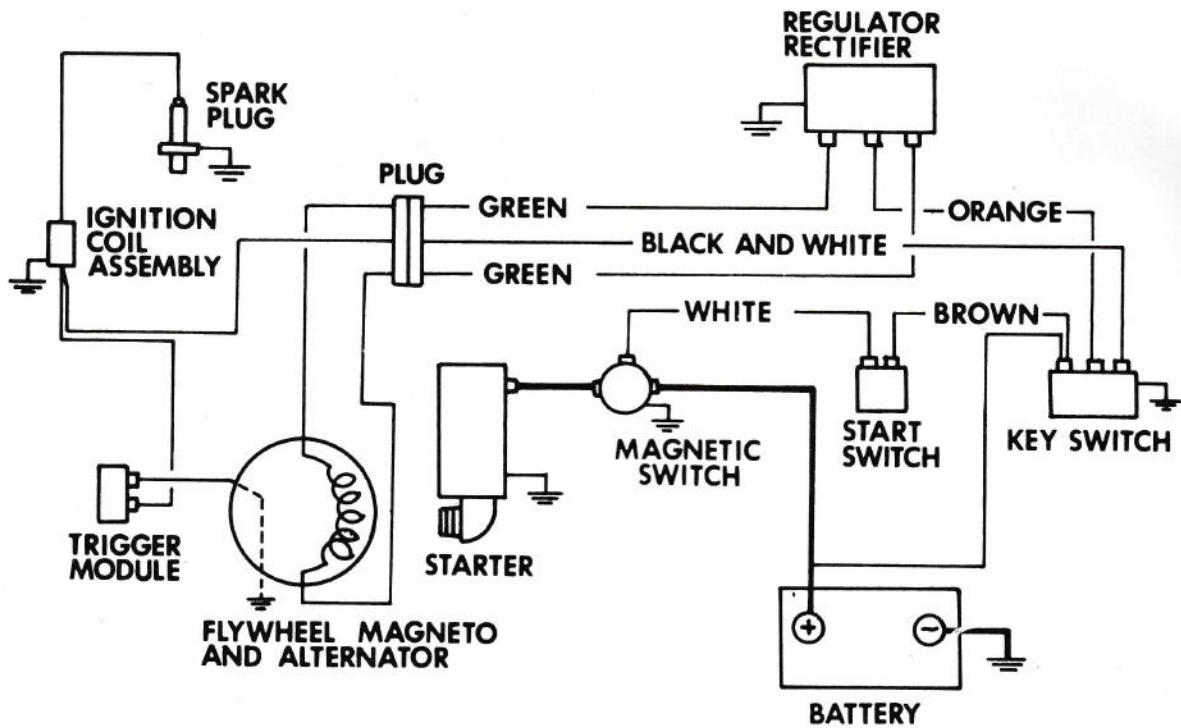
<u>ITEM NO.</u>	<u>PART NO.</u>	<u>DESCRIPTION</u>
1	10756P1	Tank Cap
2	10636P1	Fuel Tank
3	10642P1	Shut Off Valve
4	10868A1	Fuel Line Assembly
5	192135	Elbow
6	10637A1	Fuel Tank Bracket Weldment
7	456004	3/8 Locknut
8	180129	3/8 x 1 7/8 Hex. Hd. Bolt
9	10640P1	Fuel Tank Strap
10	180022	1/4 x 1 Hex. Hd. Bolt
11	9413314	1/4 Locknut
12	11989P1	Electrical System Warning Decal

REAR HITCH

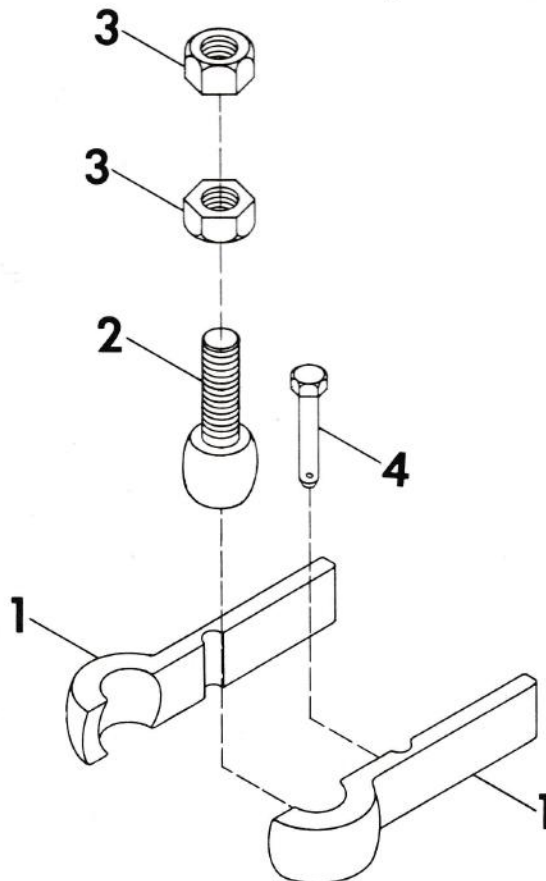


<u>ITEM NO.</u>	<u>PART NO.</u>	<u>DESCRIPTION</u>
1	180126	3/8 x 1 1/2 Hex. Hd. Bolt
2	456004	3/8 Locknut
3	11952A1	Rear Hitch Weldment
4	6027A1	Sprayer Tank Stand
5	13457P1	Handle
6	126416	3/8 x 1 3/4 Rd. Hd., Sq. Nk. Bolt
7	11955P1	Plate
8	124589	5/8 Hex. Nut
9	121574	5/8 Lockwasher
10	271547	5/8 x 1 1/2 Hex. Hd. Bolt
11	11956P1	Hitch Casting

WIRING DIAGRAM

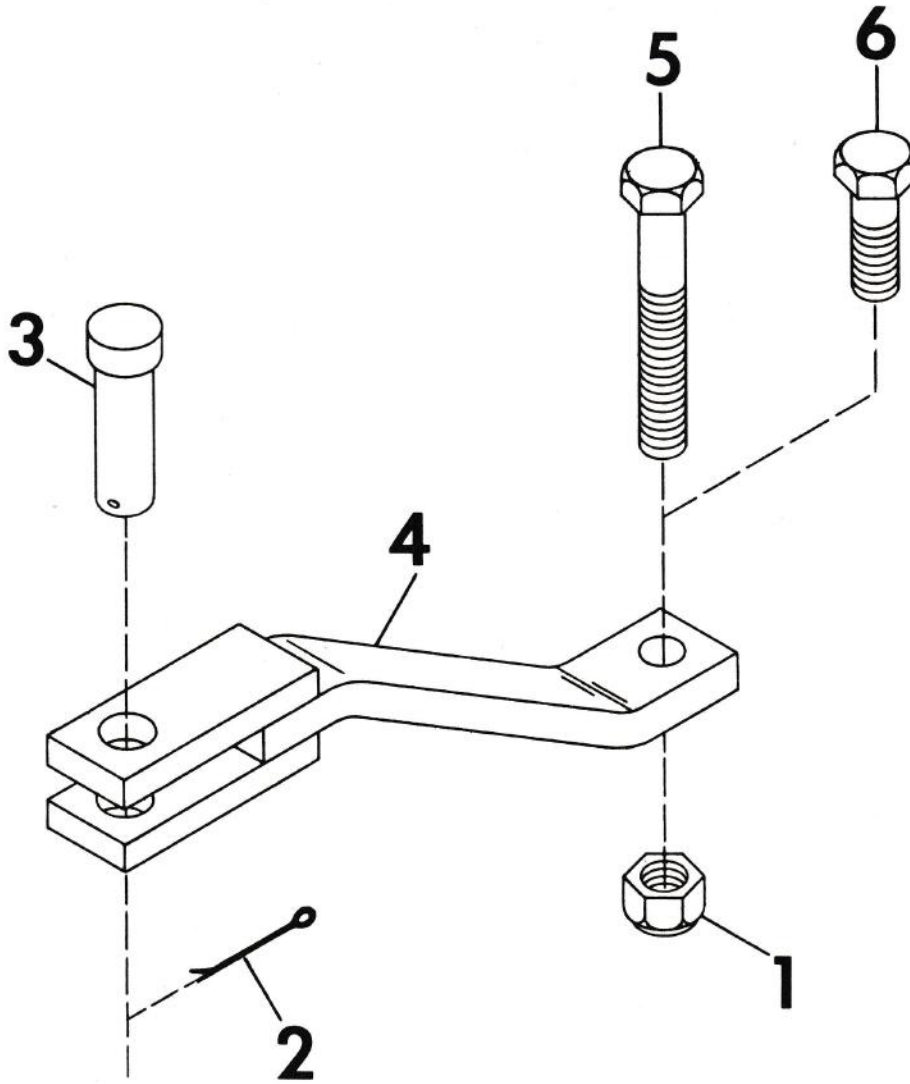


TRAILING HITCH KIT (OPTIONAL)



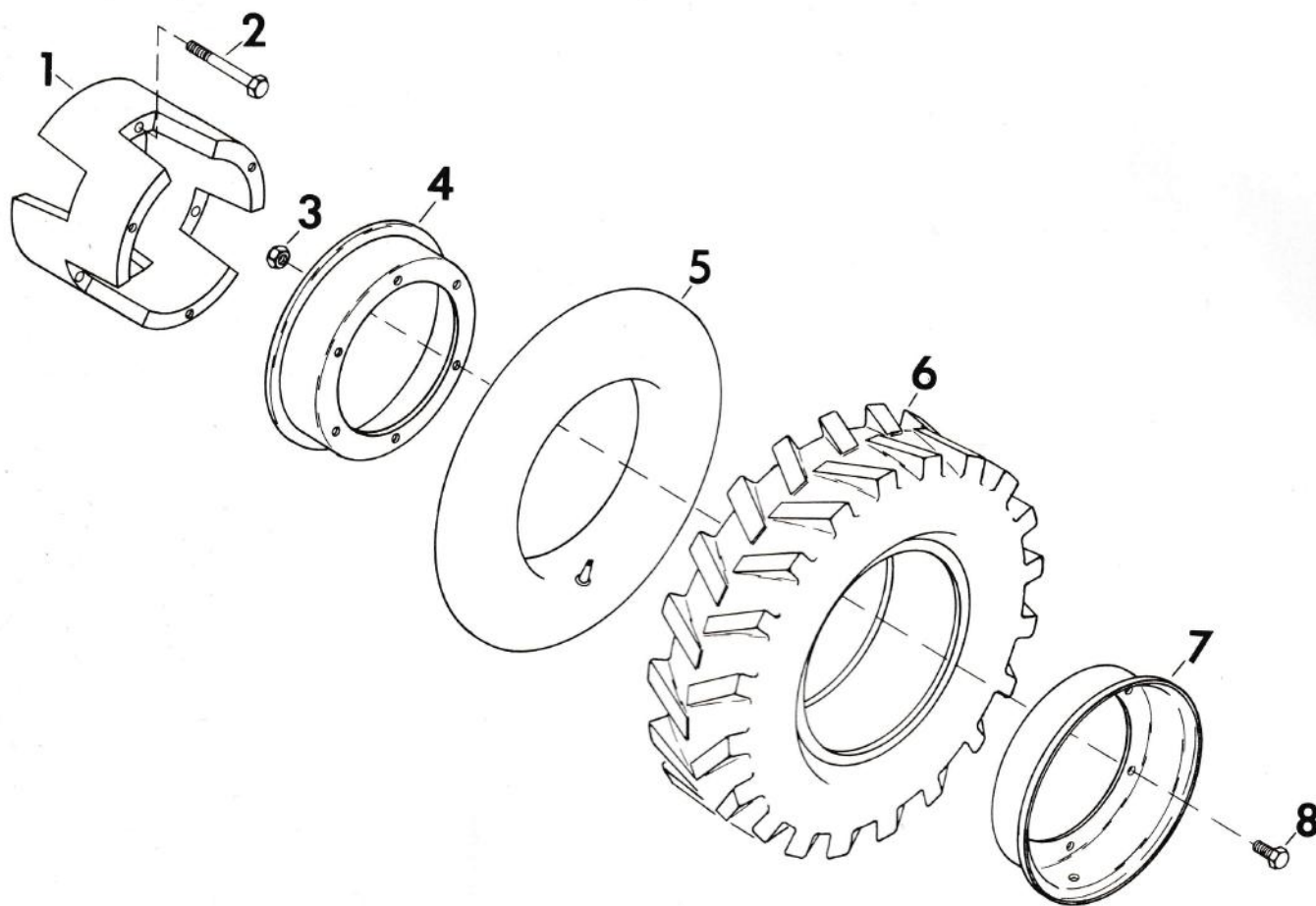
<u>ITEM NO.</u>	<u>PART NO.</u>	<u>DESCRIPTION</u>
1	12572P1	Split Socket
2	12570P1	Ball Stud
3	124944	5/8 Hex. Jam Nut
4	11685P1	Drawbar Pin

COUPLER STRUT WELDMENT (OPTIONAL)



<u>ITEM NO.</u>	<u>PART NO.</u>	<u>DESCRIPTION</u>
1	435507	1/2 Locknut
2	137204	Cotter Pin
3	10708P1	Clevis Pin
4	11664A1	Coupler Strut Weldment
5	180192	1/2 x 3 1/2 Hex. Hd. Bolt
6	180177	1/2 x 1 1/2 Hex. Hd. Bolt

DUAL WHEEL KIT (OPTIONAL)



<u>ITEM NO.</u>	<u>PART NO.</u>	<u>DESCRIPTION</u>
1	12745P1	Dual Wheels Spacer
2	189304	3/8 x 3 1/4 Hex. Hd. Bolt
3	124829	3/8 Hex. Jam Nut
4	12674P1	Inner Rim
5	11645P1	Tube
6	11644P1	Tire
7	12673P1	Outer Rim
8	180118	3/8 x 5/8 Hex. Hd. Bolt



